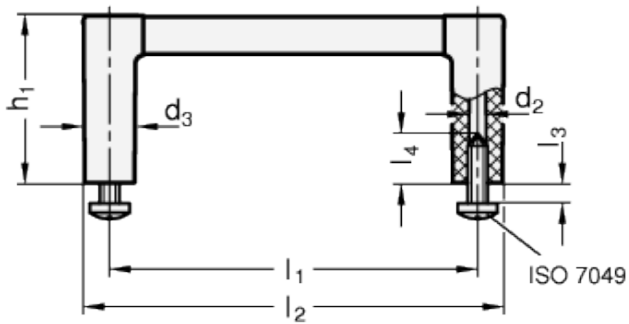


GN 423

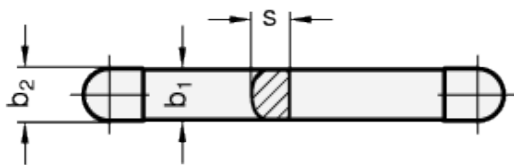
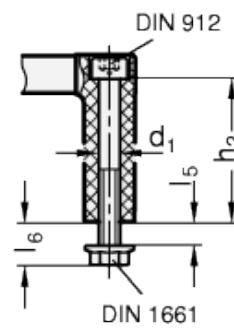
U handles



Type A



Type B



technical informations

Handle bar
Aluminium.

Handle shanks

Plastic based Polyamide PA, glas fibre reinforced.
Temperature resistant up tp 130 °C.

Finish

Version ELS:

- Handle bar: anodised, natural colour.
- Handle shanks: black, matte finish.

Version ESS:

- Handle bar: anodised, black colour.
- Handle shanks: black, matte finish.

Version ELG:

- Handle bar: anodised, natural colour.
- Handle shanks: light grey, matte finish.

Assembly

- Type A: Mounting from the back (Self-tapping screws).
- Type B: Mounting from the operators side.

Cylinder head screws DIN 912-M5-45

Zinc-plated steel, black.

Flange nuts DIN 1661-M5

Zinc-plated steel, blue passivated.

Self-tapping screws ISO 7049

Zinc-plated steel, ST4.8-19.

Features and applications

The dimensions of the „U“ handles GN 423 have been designed to match a 19" rack and enclosure layout. Handle bar and handle shanks are interconnected via a plug-type connection, with the effect that special lengths are easily realised.

Thanks to the fixing screws included in the set, the „U“ handles are easily and economically mounted.

Standard Elements

Main dimensions

Mounting holes

Weight

Description	b ₁	l _{1 ±0.25}	b ₂	d ₃	h ₁	h ₂	l ₂	l _{3 max.}	l _{5 max.}	l ₆	s	d ₁	d ₂	l _{4 min.}	g
GN 423-12-55-A-ELS	12	55	12.5	12.5	40	34.5	67.5	5	5	10.5	9	-	4.3	14	27
GN 423-12-55-A-ESS	12	55	12.5	12.5	40	34.5	67.5	5	5	10.5	9	-	4.3	14	27
GN 423-12-55-A-ELG	12	55	12.5	12.5	40	34.5	67.5	5	5	10.5	9	-	4.3	14	27
GN 423-12-88-A-ELS	12	88	12.5	12.5	40	34.5	100.5	5	5	10.5	9	-	4.3	14	31
GN 423-12-88-A-ESS	12	88	12.5	12.5	40	34.5	100.5	5	5	10.5	9	-	4.3	14	31
GN 423-12-88-A-ELG	12	88	12.5	12.5	40	34.5	100.5	5	5	10.5	9	-	4.3	14	31
GN 423-12-100-A-ELS	12	100	12.5	12.5	40	34.5	112.5	5	5	10.5	9	-	4.3	14	34
GN 423-12-100-A-ESS	12	100	12.5	12.5	40	34.5	112.5	5	5	10.5	9	-	4.3	14	34
GN 423-12-100-A-ELG	12	100	12.5	12.5	40	34.5	112.5	5	5	10.5	9	-	4.3	14	34
GN 423-12-120-A-ELS	12	120	12.5	12.5	40	34.5	132.5	5	5	10.5	9	-	4.3	14	37
GN 423-12-120-A-ESS	12	120	12.5	12.5	40	34.5	132.5	5	5	10.5	9	-	4.3	14	37
GN 423-12-120-A-ELG	12	120	12.5	12.5	40	34.5	132.5	5	5	10.5	9	-	4.3	14	37
GN 423-12-180-A-ELS	12	180	12.5	12.5	40	34.5	192.5	5	5	10.5	9	-	4.3	14	50
GN 423-12-180-A-ESS	12	180	12.5	12.5	40	34.5	192.5	5	5	10.5	9	-	4.3	14	50
GN 423-12-180-A-ELG	12	180	12.5	12.5	40	34.5	192.5	5	5	10.5	9	-	4.3	14	50
GN 423-12-235-A-ELS	12	235	12.5	12.5	40	34.5	247.5	5	5	10.5	9	-	4.3	14	59
GN 423-12-235-A-ESS	12	235	12.5	12.5	40	34.5	247.5	5	5	10.5	9	-	4.3	14	59
GN 423-12-235-A-ELG	12	235	12.5	12.5	40	34.5	247.5	5	5	10.5	9	-	4.3	14	59
GN 423-12-55-B-ELS	12	55	12.5	12.5	40	34.5	67.5	5	5	10.5	9	M5	-	-	37
GN 423-12-55-B-ESS	12	55	12.5	12.5	40	34.5	67.5	5	5	10.5	9	M5	-	-	37
GN 423-12-55-B-ELG	12	55	12.5	12.5	40	34.5	67.5	5	5	10.5	9	M5	-	-	37
GN 423-12-88-B-ELS	12	88	12.5	12.5	40	34.5	100.5	5	5	10.5	9	M5	-	-	43
GN 423-12-88-B-ESS	12	88	12.5	12.5	40	34.5	100.5	5	5	10.5	9	M5	-	-	43
GN 423-12-88-B-ELG	12	88	12.5	12.5	40	34.5	100.5	5	5	10.5	9	M5	-	-	43
GN 423-12-100-B-ELS	12	100	12.5	12.5	40	34.5	112.5	5	5	10.5	9	M5	-	-	46
GN 423-12-100-B-ESS	12	100	12.5	12.5	40	34.5	112.5	5	5	10.5	9	M5	-	-	46
GN 423-12-100-B-ELG	12	100	12.5	12.5	40	34.5	112.5	5	5	10.5	9	M5	-	-	46
GN 423-12-120-B-ELS	12	120	12.5	12.5	40	34.5	132.5	5	5	10.5	9	M5	-	-	52
GN 423-12-120-B-ESS	12	120	12.5	12.5	40	34.5	132.5	5	5	10.5	9	M5	-	-	52
GN 423-12-120-B-ELG	12	120	12.5	12.5	40	34.5	132.5	5	5	10.5	9	M5	-	-	52
GN 423-12-180-B-ELS	12	180	12.5	12.5	40	34.5	192.5	5	5	10.5	9	M5	-	-	59
GN 423-12-180-B-ESS	12	180	2.5	12.5	40	34.5	192.5	5	5	10.5	9	M5	-	-	59
GN 423-12-180-B-ELG	12	180	12.5	12.5	40	34.5	192.5	5	5	10.5	9	M5	-	-	59
GN 423-12-235-B-ELS	12	235	12.5	12.5	40	34.5	247.5	5	5	10.5	9	M5	-	-	66
GN 423-12-235-B-ESS	12	235	12.5	12.5	40	34.5	247.5	5	5	10.5	9	M5	-	-	66
GN 423-12-235-B-ELG	12	235	12.5	12.5	40	34.5	247.5	5	5	10.5	9	M5	-	-	66



ELESA and GANTER models all rights reserved in accordance with the law. Always mention the source when reproducing our drawings.

STANDARD MACHINE ELEMENTS WORLDWIDE